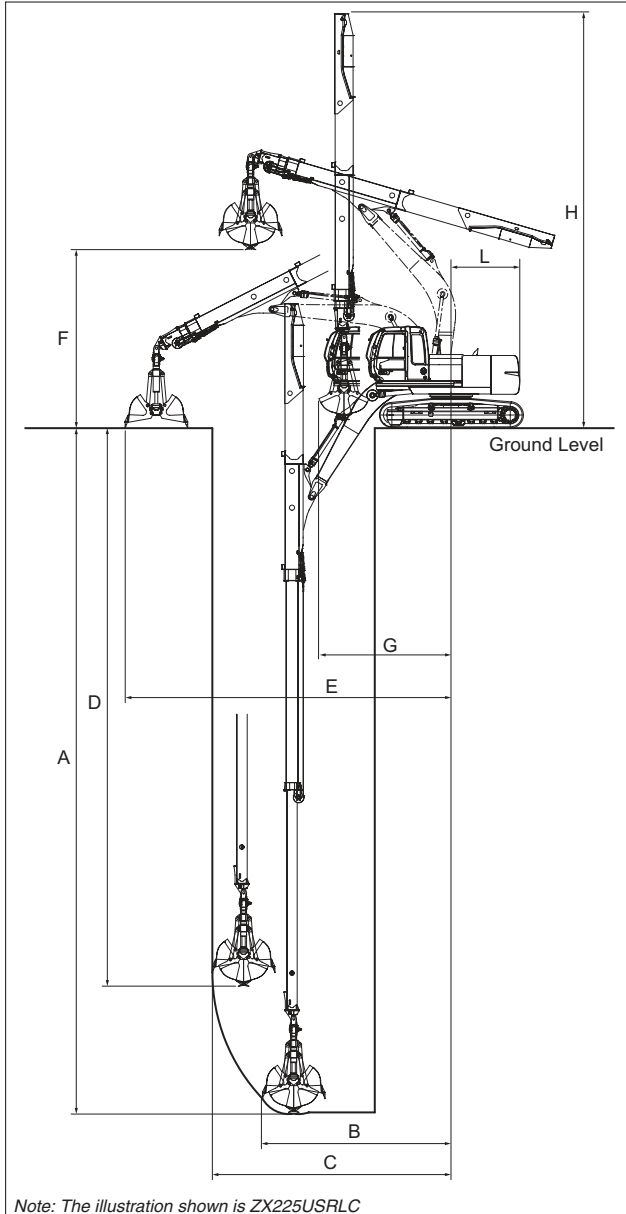


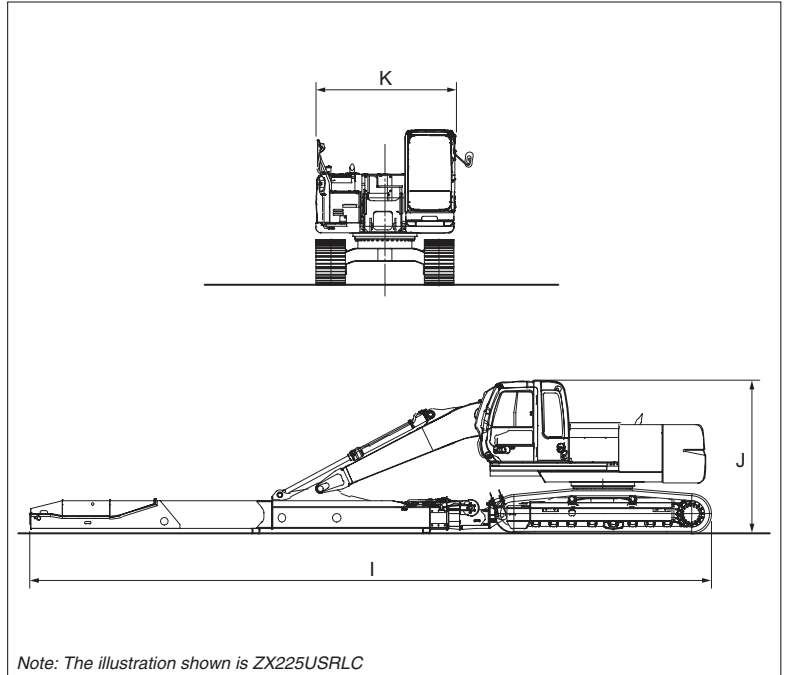
"Chameleon" Clamshell

< Rope Telescopic type Clamshell >

WORKING RANGES



DIMENSIONS



SPECIFICATIONS

MODEL	ZAXIS200LC	ZAXIS225USRLC	ZAXIS330LC	
Telescopic arm type	S-TC200R-7		S-TC300R-6	
Telescopic arm system	Hydraulic cylinder + Wire rope			
Operating weight (With sliding cab)	26 000	28 700	42 000	
Bucket capacity	0.8		1.3	
Ground pressure	54(0.55)	60(0.61)	79(0.80)	
Working range				
A Max. vertical digging depth	mm	21 150	25 200	
B Radius at max. vertical digging depth	mm	5 910	6 330	
C Max. vertical digging radius	mm	7 450	8 420	
D Depth at max. vertical digging radius	mm	17 200	20 500	
E Max. working radius	mm	10 140	11 100	
F Max. dumping height	mm	5 580	5 500	
G Min. front swing radius	mm	4 250	5 510	
H Height at min. front swing radius	mm	12 860	15 570	
Dimension				
I Total length (Basic configuration)	mm	14 520	14 000	18 130
J Total height (Basic configuration, with sliding cab)	mm	3 190	3 160	3 350
K Total width (Without rear view mirror)	mm	2 990		3 190
L Rear swing radius	mm	2 750	2 120	3 540

Note: Data shown above are in SI units followed by data in conventional units ().

< Clamshell Bucket >

SPECIFICATIONS

Bucket capacity	m ³	0.8	1.3
Max. digging force	kN(kgf)	59.0(6,020)	79.4(8,100)
Max. height	mm	2,495	2,960
Open max. height	mm	2,105	2,560
Closed width	mm	1,795	2,030
Open width	mm	2,080	2,320
Bucket width	mm	910	1,200
Teeth number		7	9
Weight	kg	1,230	1,960

These specifications are subject to change without notice. Illustrations and photos show the standard models, and may or may not include optional equipment, accessories, and all standard equipment with some differences in color and features.

Hitachi Construction Machinery Co., Ltd.

Head Office: 5-1 Koraku 2-chome, Bunkyo-ku,
Tokyo 112-8563, Japan

Telephone: (03)3830-8050

Facsimile: (03)3830-8202